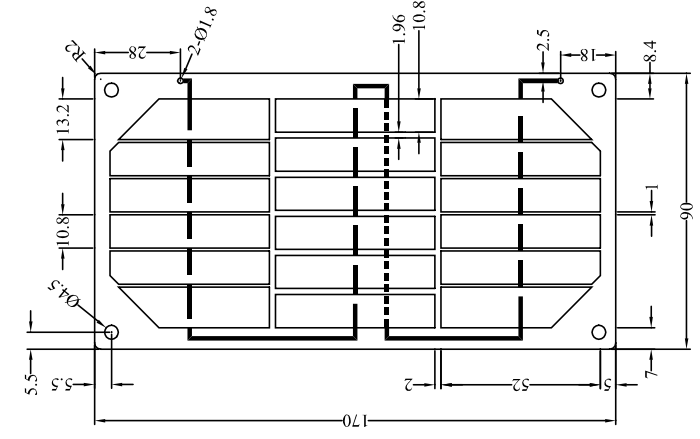
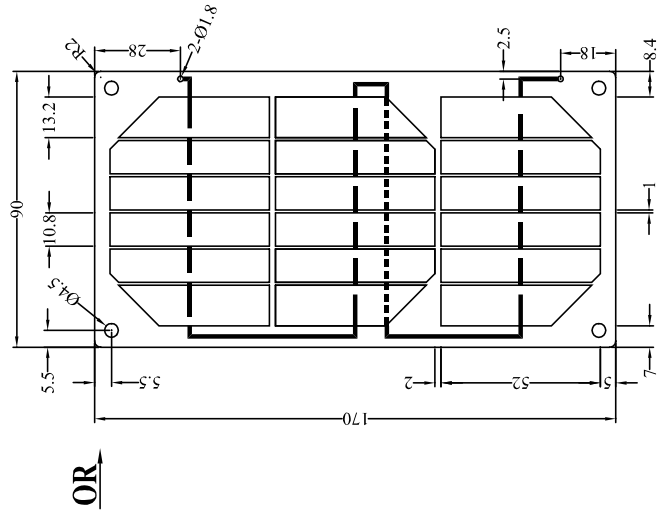


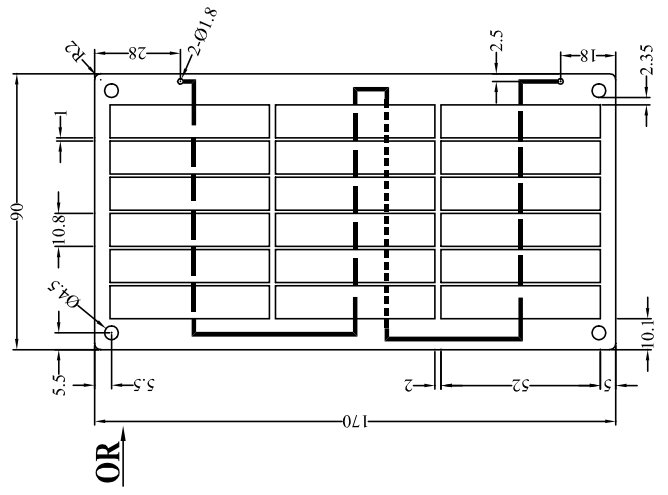
REV#	REVISION DESCRIPTION	DATE	APPROVED
02	修改太阳片的尺寸	13-Jul-2010	Peter
03	修改排片方式	23-Jul-2010	Peter



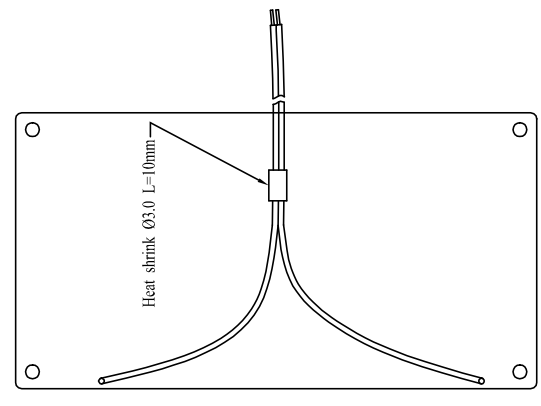
FRONT VIEW



FRONT VIEW



FRONT VIEW



BACK VIEW

CO/CUSTOMER:	DESCRIPTION/PRODUCT:	<b>STUDIO DEL SOLE INC.</b>			
PRODUCT MODEL:	DWG.NO.	FILENAME:	CHK. BY:	APP. BY:	
FP-PNL-S087-0193F06	P070503	PSLM 9.0-190	Peter	23-JUL-2010	
SUBSTRATE:	SIZE:	COLOR:	CABLE AWG#:	LENGTH:	
FR4 1.6mm	170X90	OPAQUE	AWG#22 R/B TWIN-WIRE	500mm	
			SCALE:	UNIT:	
			1:2	mm	
			Spec.tolerance:±10%(VP,Ip)		
			Cell:SCSH6M174-B0108X0520		
			Cell Efficiency:17.0%		
			Mc	18 / pcs	
			Voc	10.6 / V	
			Vp	9.0 / V	
			mAsc	209 / mA	
			mAp	190 / mA	
			Wp	1.7 / W	