

Mobile PV System Solargear Ref. SG0514MN

Operating Instructions

Applications

- A solar charger for charging mobile appliances, such as smartphones, tablets and mobile batteries by sunlight.

⚙️ **Note:** Not all the products may be charged with this product.

Features

- No batteries or AC outlets necessary for safe charging and air transport all over the world.
- A light yet impact resistant A4 sized bifold solar panel with high performance mono crystalline solar cells with 24% efficiency laminated with better light transmitting and long life ETFE.
- IP67 dust and water proof solar panel with 2 USB ports with protection plugs.
- 2 mobile appliances or mobile batteries can be charged simultaneously with 2 USB ports with total output current up to 2.4A.
- Equipped with an auto-resume charging function for fool-proof charging under unsettled weather.
- A tricolor LED indicates the charging status of the batteries.

Important Safety Instructions

- Do not connect unauthorised cables to the input/output ports of mobile appliances or mobile batteries.
- Do not touch metal objects to the input/output ports of mobile appliances or mobile batteries.
- Do not short circuit, or disassemble mobile appliances or mobile batteries.
- Do not put mobile appliances or mobile batteries into water.
- Do not leave mobile appliances or mobile batteries near fire, in a hot car, or in a place prone to rain or snow.
- Do not drop, place heavy weight, or allow strong impact on mobile appliances or mobile batteries.
- Stop charging in case of leakage from mobile appliances or mobile batteries.
- Stop charging in case mobile appliances or mobile batteries become unusually hot.
- Disconnect USB charger cable from mobile appliances or mobile batteries after batteries have completed charging.

Important Note

- We are not responsible for any physical damage to the appliances, any loss of memorized data, any interruption of business, and any loss of business opportunities caused by this product.

Maintenance

- Clean this product with a dried or dampened cloth. Do not use oil, solvents, petrol or paint thinners for cleaning.

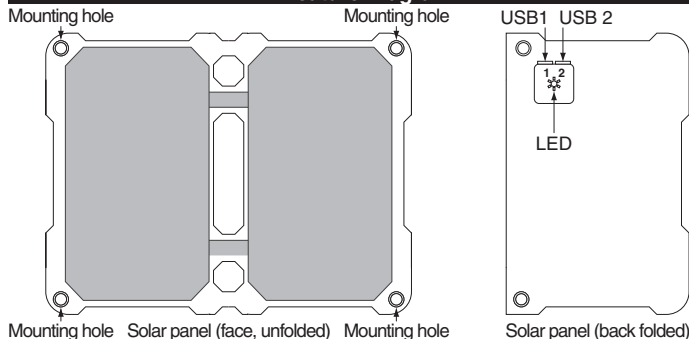
Warranty

- 1 year from the date of purchase

Specifications

- Materials: ETFE + EVA + mono crystalline solar cells + EVA + TPT + ETFE
- Cell efficiency: 24%
- Max. output*: USB: 5V/2.4A *panel temperature 25°C AM1.5 1kW/m2
- Dimensions: 383X293X3mm (unfolded) 293X192X23mm (folded)
- Weight: approx. 450g (excl. accessories)
- Mounting holes: 8mm grommet X 4
- Output terminals: 2 USB ports with protection plugs
- Charging indicator: tricolor LED
- Safety features: DC-DC converter with auto-resume charging function
- Protection level: IP67
- Operating temperature: -10 - 60°C

Feature Diagram



How to Use

- 1 Pull the rubber plug out of "USB 1" or "USB 2" port and connect the USB charger cable of mobile appliances or mobile batteries.
- 2 Face the solar panel towards the sunlight to charge mobile appliances or mobile batteries. For the most efficient charging, adjust the direction and angle of the solar panel 90 degrees in opposition to the sun rays.
- 3 You can monitor the charging status by the tricolor LED on the back of the solar panel. Blue light indicates that the charging current is lower than 0.5A, green light indicates that the charging current is 0.5A or higher, and red light indicates that the solar panel is working but the battery is not charged.
- 4 When you have completed charging, disconnect the USB charger cable of mobile appliances or mobile batteries from the USB port and insert the protection plug into it.

STUDIO DEL SOLE INC.

1-101, City Court Meguro, 2-10-34, Kamiosaki, Shinagawa-ku, Tokyo 141-0021, Japan.
Tel: +81-3-5423-6801 Fax: +81-3-5423-6802 E-mail: support@violetta.com

www.solargear.jp

Design and specifications are subject to change without notice. Made in China 01-10-24