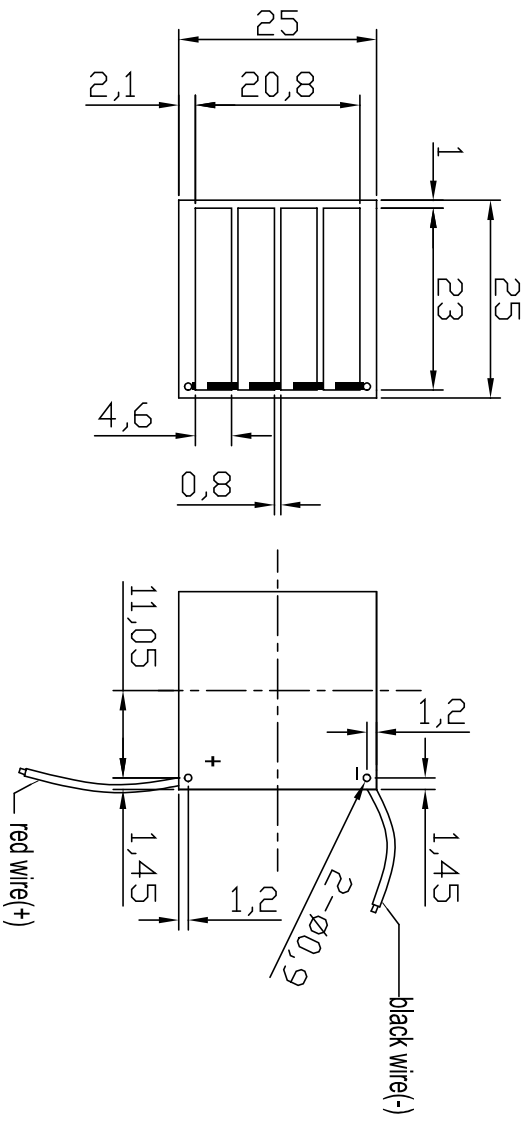


REV#	REVISION DESCRIPTION	DATE	APPROVED

DATE	CALCULATE POLYMER	ACTUAL POLYMER	SHOT TIME	SHOT	APPEED
02-Jun-2010	0.9 ml				



CO/CUSTOMER: **STUDIO DEL SOLE INC.**

Spec. tolerance: ±10% (VP, Ip)	
Cell: SCC06T1640-B0046X0230	
Cell Efficiency: 16.4%	
Mc	4 / pcs
Voc	2.32 / V
Vp	2 / V
mAsc	37 / mA
mAp	34 / mA
Wp	0.07 / W

PRODUCT MODEL:	FP-PNL-P020-0033F01	DWG. NO.:	P081006 REV.02	FILENAME:	PSLM.2.0-34	DWG. BY:	Peter 02-Jun-2010	CHK. BY:		APP. BY:	
SUBSTRATE:	FR4 1.0mm	SIZE:	25X25	COLOR:	Opaque	CABLE AWG#:	AWG#30 R/B S-wire	LENGTH:	100mm	SCALE:	1:1
DESCRIPTION/PRODUCT:	0.07W Solar Panel										